



深圳市矽源特科技有限公司
ShenZhen ChipSoureTek Technology Co.,Ltd.

CST5106L Self-capacitive touch controller

DATASHEET

CST5106L

Self-capacitive touch controller

**Version: V1.0
2022.11.02**



CST5106L Self-capacitive touch controller

Table of Contents

| | |
|---|-----------|
| TABLE OF CONTENTS | 2 |
| REVISION HISTORY..... | 3 |
| GENERAL DESCRIPTION..... | 4 |
| 1 FEATURES..... | 4 |
| 1.1 KEY FEATURES..... | 4 |
| 1.2 PIN LAYOUT | 5 |
| 2 FUNCTION OVERVIEW | 6 |
| 2.1 BLOCK DIAGRAM | 6 |
| 2.1.1 AFE..... | 6 |
| 2.1.2 Interface..... | 6 |
| 2.1.3 Embedded MCU | 7 |
| 2.2 WORK MODES..... | 7 |
| 2.2.1 Normal mode | 8 |
| 2.2.2 Idle mode | 8 |
| 2.2.3 Sleep mode..... | 8 |
| 3 COMMUNICATION INTERFACE..... | 8 |
| 4 ELECTRICAL SPECIFICATIONS..... | 10 |
| 4.1 ABSOLUTE MAXIMUM RATINGS..... | 10 |
| 4.2 RECOMMENDED OPERATING CONDITION | 10 |
| 4.3 AC CHARACTERISTICS | 10 |
| 5 PACKAGE..... | 11 |
| 6 ORDERING INFORMATION..... | 11 |
| 7 DISCLAIMER..... | 12 |



CST5106L Self-capacitive touch controller

REVISION HISTORY

| Date | Revision # | Description | Page | Auditor |
|------------------|-------------|---|------|---------|
| August 15, 2022 | Preliminary | Original | 12 | TXH |
| November 2, 2022 | V1.0 | The VIH max description is changed to IOVCC | 12 | TXH |

矽源特科技
ChipSourceTek



CST5106L Self-capacitive touch controller

GENERAL DESCRIPTION

CST5106L is a high-performance self-capacitor touch controller that supports various self-capacitor sensor patterns and has excellent signal-to-noise ratio to achieve high accuracy and linearity while maintaining ultra-low power consumption. It is very suitable for portable mobile devices such as smart watches and smart bracelets.

1 CST5106L Features

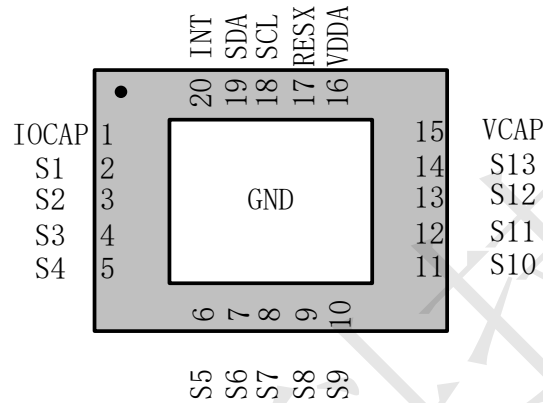
1.1 Key features

- ◆ Highly sensitive self-capacitance detection technology
- ◆ Support up to 13 channels
- ◆ The maximum screen size is 3 inches
- ◆ Support GF, GG, OGS and other screen structure
- ◆ Support various ITO Sensor patterns (triangles, squares, etc.)
- ◆ Support three work modes: Normal mode, Idle mode, Sleep mode
- ◆ The sleep mode power consumption is as low as 8uA, the Idle mode consumption is as low as 400uA, and the normal mode power consumption is as low as 2mA
- ◆ Touch point report rate up to 120Hz;
- ◆ Auto calibration
- ◆ Supports I2C interfaces
- ◆ Support online programming
- ◆ Single power supply 2.7V to 3.6V
- ◆ Package: QFN20 3x3x0.55mm
- ◆ The CST5106L is dedicated for self-capacitive touch panel; its typical applications are listed as follows:
 - Smart watch, Smart bracelet
 - GPS navigator
 - Digital camera
 - Game consoles
 - Portable media player



CST5106L Self-capacitive touch controller

1.2 Pin layout



| PIN Name | Description | Note |
|----------|-----------------------|--|
| S1~S13 | Sensor channels | |
| SCL/SDA | IIC | I2C clock input /I2C data input and output |
| RESX | Reset input | active low |
| INT | Interrupt output | External interrupt to the host |
| IOCAP | Connect 1uF capacitor | |
| VCAP | Connect 1uF capacitor | |
| VDDA | Power supply | 2.7~3.6V, Connect 1-10uF capacitor |



CST5106L Self-capacitive touch controller

2 CST5106L Function Overview

2.1 Block diagram

The overall system block diagram of the CST5106L is shown as Figure below.

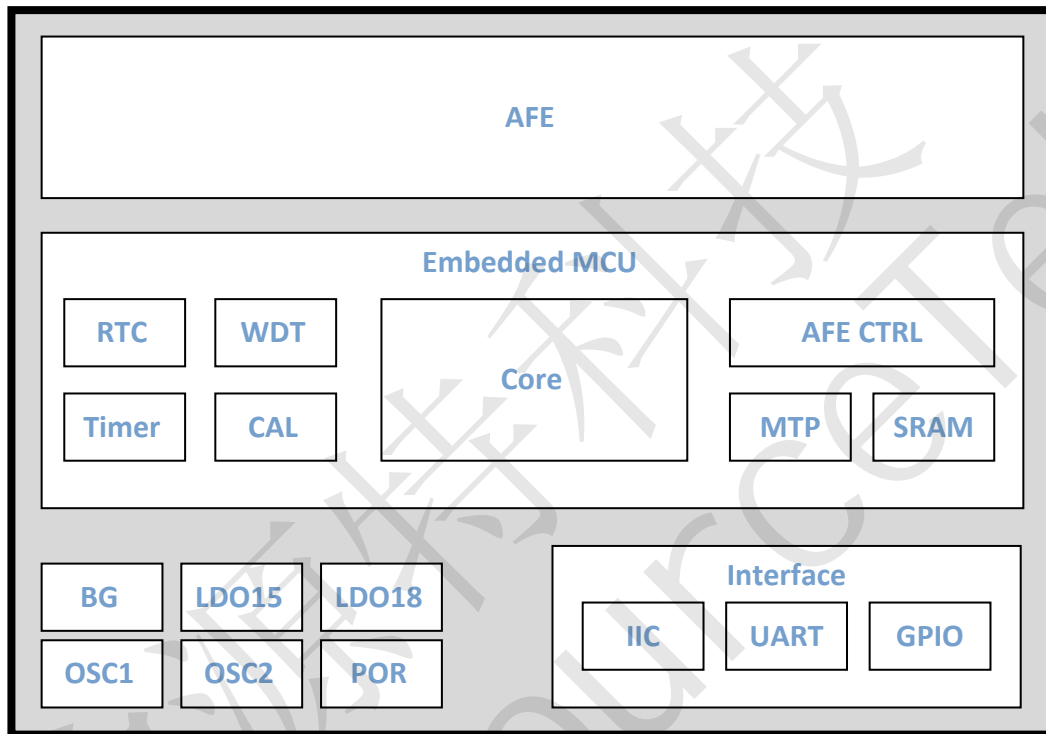


Figure: block diagram

2.1.1 AFE

AFE channels connect with CTP sensors, scan by sending AC signals to the sensors and process the received signals, which finally be converted by ADC and sent to MCU.

2.1.2 Interface

IIC is main communication interface which support slave mode only and support up to 400KHz transfer speed. Detail of IIC communication please refer to Chapter 3.

UART is normally used as debug function. It supports up to 1MHz baud rate.

GPIO (pins: "INT", "SDA", "SCL") high level voltage can be configurated to 1.8V or VDDA by setting internal register. "INT" signal is used to inform HOST to get touch information or just wakeup HOST.



CST5106L Self-capacitive touch controller

2.1.3 Embedded MCU

Embedded MCU bases on a high efficiency core.

MTP is used to store firmware and run.

SRAM is for system use.

AFE CTRL module is the interface between MCU and AFE. User can configurate AFE CTRL registers to generate control signals to AFE. AFE also inform MCU current state through AFE CTRL module.

RTC works with OSC2. It is used to support low-power scan mode, in which OSC1 can be shut down and AFE scan is triggered automatically.

CAL module is designed for speeding up data process.

Timer can be used to generate a precise latency.

WDT is used to ensure the stability of chip when in operation.

Complex signal processing algorithms are implemented by MCU to detect the touch events reliably and efficiently. Communication protocol is also implemented by MCU to exchange touch or control information with HOST.

2.2 Work modes

There are three work modes available:

- Normal mode
- Idle mode
- Sleep mode

Work modes switching conditions are shown as below:



CST5106L Self-capacitive touch controller

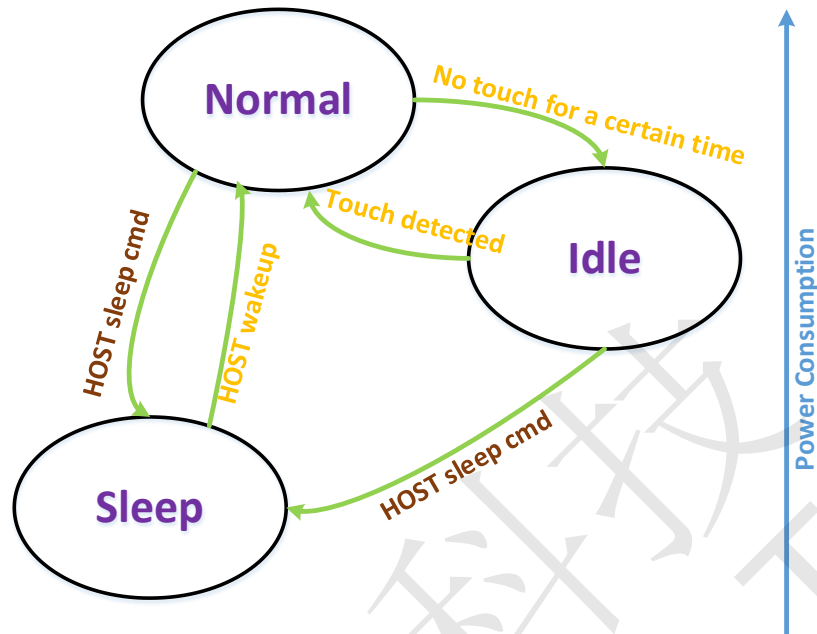


Figure: Work modes

2.2.1 Normal mode

In normal mode, AFE scans the touch screen panel, MCU will detect touch actions and report touch information in a configurable rate (Known as scan-rate or report-rate).

2.2.2 Idle mode

When there is no touch for a configurable interval, MCU automatically switch into idle mode. In idle mode, AFE scans the touch screen panel with a relatively lower scan-rate (also configurable) to reduce power consumption. Majority of the algorithms will be canceled, and only simple detection algorithms is retained to detect if there is a touch. Once a touch is detected, MCU will immediately switch back to normal mode.

2.2.3 Sleep mode

In sleep mode, MCU enters ultra low-power mode and can be wakeup by IIC. The power consumption in this mode is extremely small, can greatly extend the standby time of portable devices.

3 CST5106L Communication Interface

The connection from host to CST5106L is shown as below:



CST5106L Self-capacitive touch controller

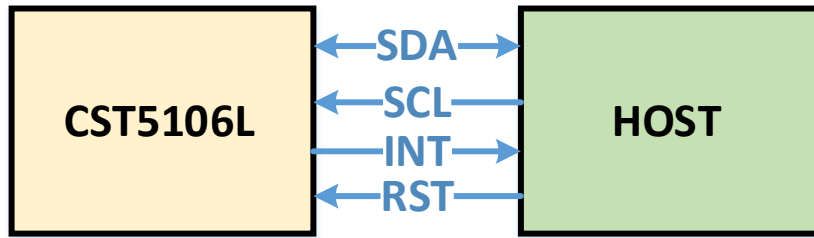


Figure: interface

INT signal is used to inform HOST that there are touch events and touch information is ready. INT signal idle level can be configured as low or high. When there are touch events, INT signal is set to active level until HOST read the touch information. If HOST haven't read the touch information, INT signal would retain active level until next touch events update. So, HOST can use either level or edge trigger-mode interrupt to respond INT signal.

RST signal is used to reset CST5106L by setting low level for a while then setting back to high level.

IIC interface is used to transfer data between CST5106L and HOST. Write/Read protocols are shown as below:



IIC Write



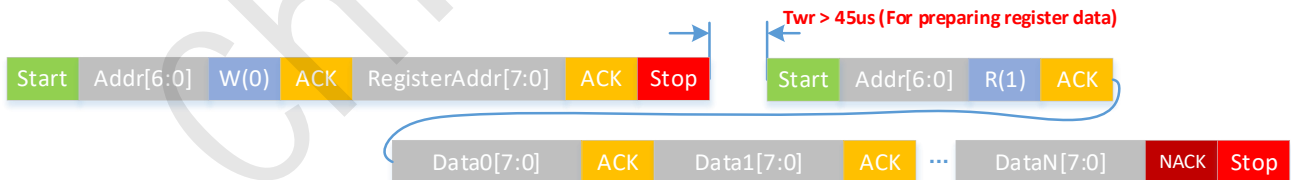
IIC Read

Figure: IIC write/Read operation



Host Write CST5106L register

Figure: Host write CST5106L register



Host Read CST5106L register

Figure: Host read CST5106L register



CST5106L Self-capacitive touch controller

4 CST5106L Electrical Specifications

4.1 Absolute maximum ratings

Table: Absolute Maximum Ratings

| Characteristics | Sym. | Min. | Max | Unit | Test Condition |
|---------------------------|------------------|------|-----|------|----------------|
| Supply Voltage | VDDA | -0.3 | 5 | V | |
| Storage temperature Range | T _{Str} | -55 | 150 | °C | |

4.2 Recommended operating condition

Table: Recommended operation condition

| Item | Sym. | Min | Typ. | Max | Unit | Condition |
|-----------------------------|------------------|-----|------|-----|------|-----------|
| Power-supply voltage | VDDA | 2.7 | 3.3 | 3.6 | V | |
| Operating Temperature Range | T _{Opr} | -40 | | 85 | °C | |

4.3 AC characteristics

Table: AC Characteristics

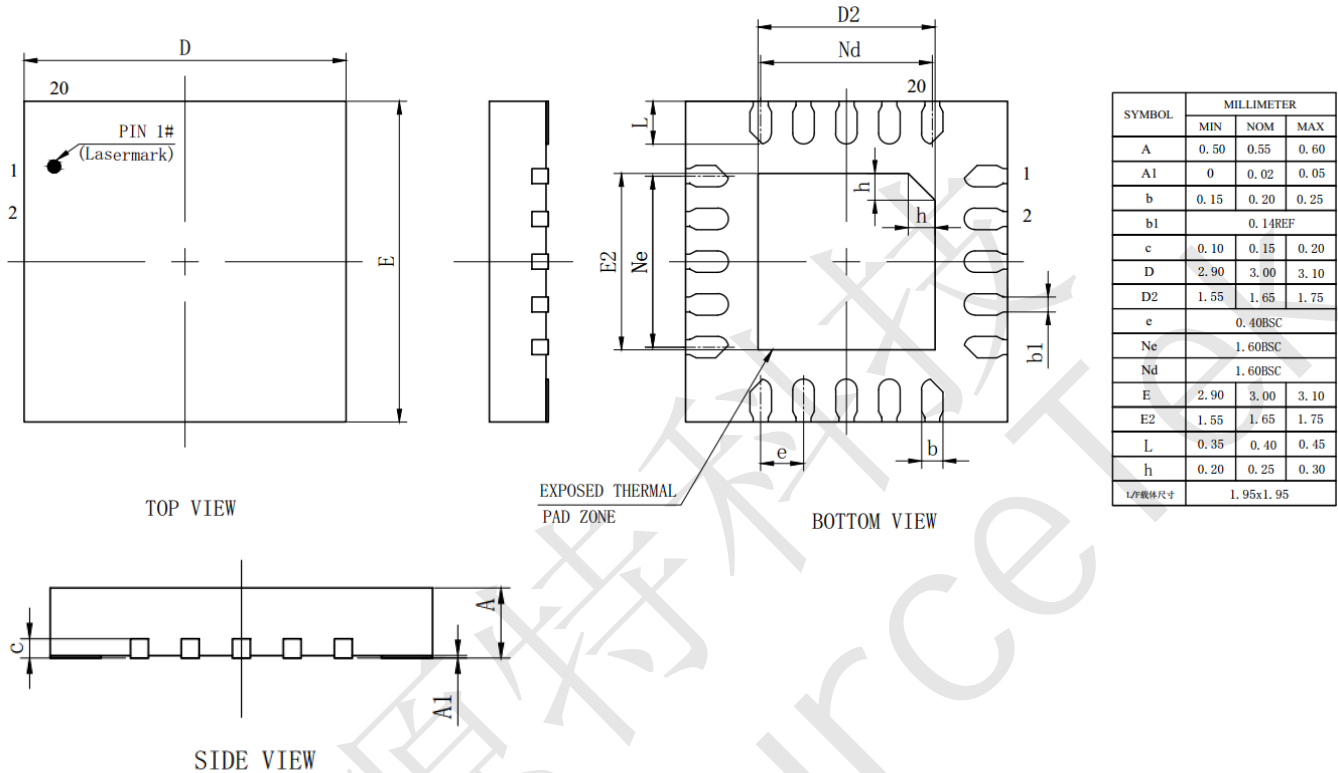
| Parameter | Sym. | Min | Typ. | Max | Unit | Condition |
|-------------------------------|-----------------|--------------------|------|--------------------|------|-----------|
| Digital inputs/outputs | | | | | | |
| Input high voltage | V _{IH} | $0.7 \times IOVCC$ | | IOVCC | V | |
| Input low voltage | V _{IL} | GND | | $0.3 \times IOVCC$ | V | |
| Output high voltage | V _{OH} | $0.7 \times IOVCC$ | | IOVCC | V | |
| Output low voltage | V _{OL} | GND | | $0.3 \times IOVCC$ | V | |

NOTE: IOVCC=VDDA or 1.8V



CST5106L Self-capacitive touch controller

5 CST5106L Package



6 CST5106L Ordering information

| Product | Package | Packing | Ordering | Minimum Orde |
|----------|--------------------------|---------|----------|--------------|
| CST5106L | 20-pin 3x3x0.55mm QFN | TR | CST5106L | 5000 |



CST5106L Self-capacitive touch controller

7 DISCLAIMER

The information appearing in this publication is believed to be accurate.

Integrated circuits sold by ChipSourceTek covered by the warranty and patent indemnification provisions stipulated in the terms of sale only. ChipSourceTek makes no warranty, express, statutory implied or by description regarding the information in this publication or regarding the freedom of the described chip(s) from patent infringement. Furthermore, ChipSourceTek makes no warranty of merchant ability or fitness for any purpose. ChipSourceTek reserves the right to halt production or alter the specifications and prices at any time without notice. Accordingly, the reader is cautioned to verify that the data sheets and other information in this publication are current before placing orders. Products described herein are intended for use in normal commercial applications. Applications involving unusual environmental or reliability requirements, e.g. military equipment or medical life support equipment, are specifically not recommended without additional processing by ChipSourceTek for such applications. Please note that application circuits illustrated in this document are for reference purposes only.