

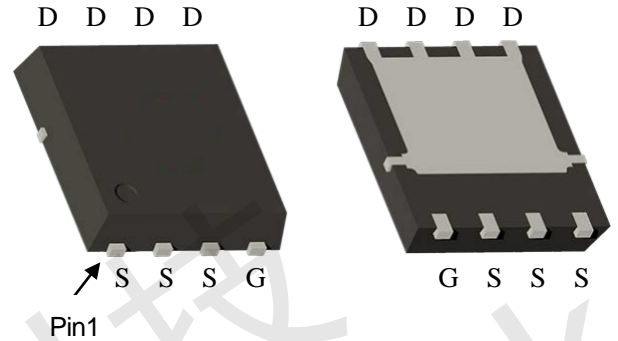


N-Channel Enhancement Mode MOSFET

HYG053N10NS1C2 Feature

- 100V/95A
 $R_{DS(ON)}=4.6\text{ m}\Omega(\text{typ.})@V_{GS} = 10\text{V}$
- 100% Avalanche Tested
- Reliable and Rugged
- Halogen-Free Devices Available
(RoHS Compliant)

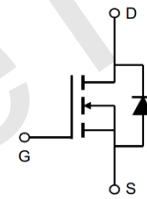
HYG053N10NS1C2 Pin Description



HYG053N10NS1C2 Applications

- Switching application
- Power management for inverter systems
- Battery management

PDFN5*6-8L



N-Channel MOSFET

HYG053N10NS1C2 Ordering and Marking Information

<p>C2 G053N10 XYMXXXXXX</p>	<p>Package Code C2 : PDFN5*6-8L</p> <p>Date Code XYMXXXXXX</p>
-------------------------------------	--

Note: This lead-free products contain molding compounds/die attach materials and 100% matte tin plate Termination finish;which are fully compliant with RoHS. This lead-free products meet or exceed the lead-Free requirements of IPC/JEDEC J-STD-020 for MSL classification at lead-free peak reflow temperature. Defines "Green" to mean lead-free (RoHS compliant) and halogen free (Br or Cl does not exceed 900ppm by weight in homogeneous material and total of Br and Cl does not exceed 1500ppm by weight).

The company reserves the right to make changes, corrections, enhancements, modifications, and improvements to this product and/or to this document at any time without notice.



HYG053N10NS1C2 Absolute Maximum Ratings

Symbol	Parameter		Rating	Unit
Common Ratings (Tc=25°C Unless Otherwise Noted)				
V _{DSS}	Drain-Source Voltage		100	V
V _{GSS}	Gate-Source Voltage		±20	V
T _J	Junction Temperature Range		-55 to 175	°C
T _{STG}	Storage Temperature Range		-55 to 175	°C
I _S	Source Current-Continuous(Body Diode)	Tc=25°C	95	A
Mounted on Large Heat Sink				
I _{DM}	Pulsed Drain Current *	Tc=25°C	350	A
I _D	Continuous Drain Current	Tc=25°C	95	A
		Tc=100°C	71.5	A
P _D	Maximum Power Dissipation	Tc=25°C	83.3	W
		Tc=100°C	41.7	W
R _{θJC}	Thermal Resistance, Junction-to-Case		1.8	°C/W
R _{θJA}	Thermal Resistance, Junction-to-Ambient **		45	°C/W
E _{AS}	SinglePulsed-Avalanche Energy ***	L=0.3mH	305	mJ

Note: * Repetitive rating; pulse width limited by max.junction temperature.
 ** Surface mounted on 1in2 FR-4 board.
 *** Limited by T_{Jmax} , starting T_J=25°C, L = 0.3mH, R_G= 25Ω, V_{GS}=10V.

HYG053N10NS1C2 Electrical Characteristics(Tc =25°C Unless Otherwise Noted)

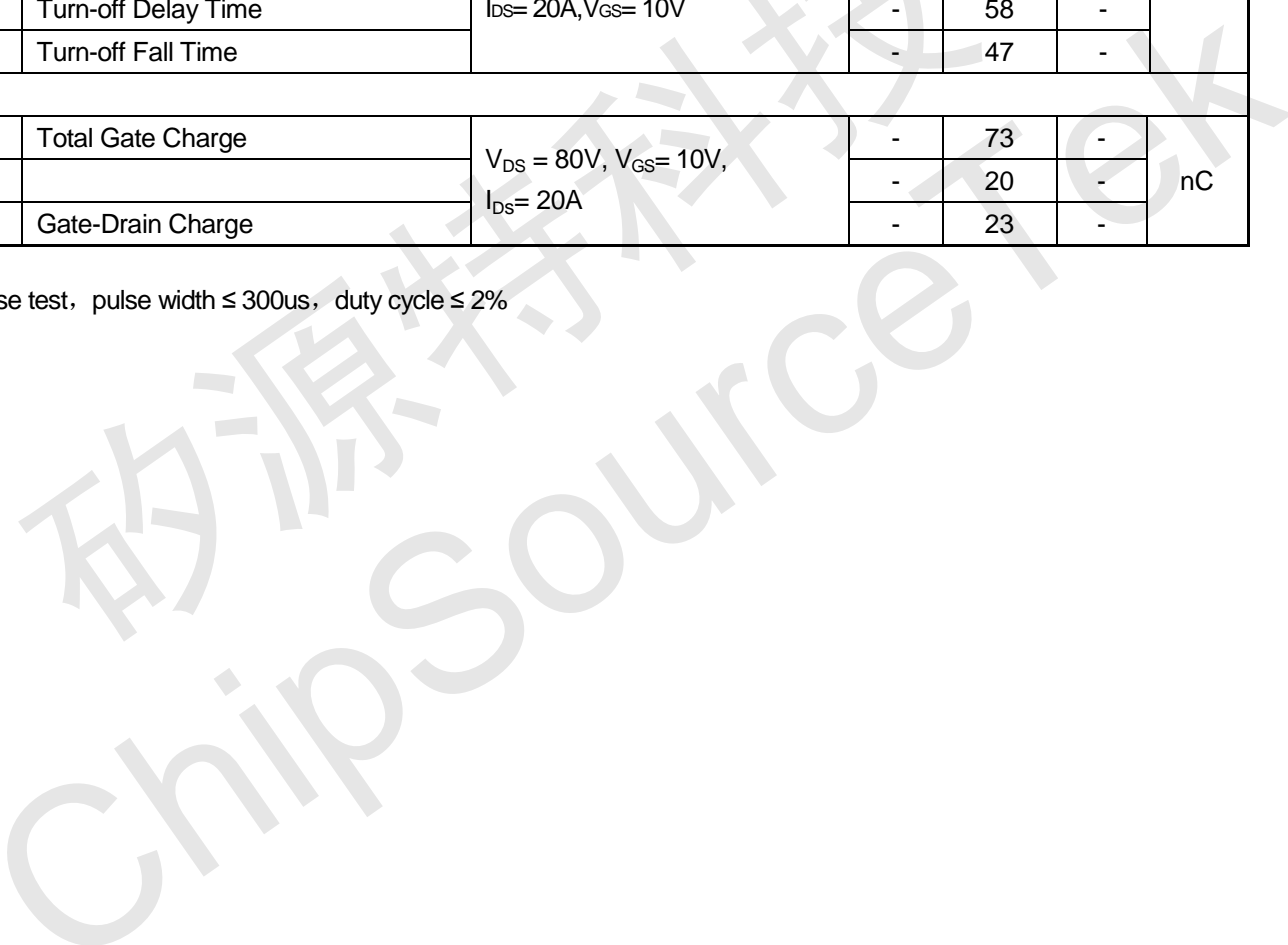
Symbol	Parameter	Test Conditions	HYG053N10NS1			Unit
			Min	Typ.	Max	
Static Characteristics						
BV _{DSS}	Drain-Source Breakdown Voltage	V _{GS} =0V, I _{DS} = 250μA	100	-	-	V
I _{DSS}	Drain-to-Source Leakage Current	V _{DS} = 100V, V _{GS} =0V	-	-	1	μA
		T _J =125°C	-	-	50	μA
V _{GS(th)}	Gate Threshold Voltage	V _{DS} =V _{GS} , I _{DS} = 250μA	2	3	4	V
I _{GSS}	Gate-Source Leakage Current	V _{GS} =± 20V, V _{DS} =0V	-	-	±100	nA
R _{DS(ON)}	Drain-Source On-State Resistance	V _{GS} = 10V, I _{DS} =20A	-	4.6	5.3	mΩ
Diode Characteristics						
V _{SD}	Diode Forward Voltage	I _{SD} =20A, V _{GS} =0V	-	0.82	1.2	V
t _{rr}	Reverse Recovery Time	I _{SD} =20A, dI _{SD} /dt=100A/μs	-	55	-	ns
Q _{rr}	Reverse Recovery Charge		-	104	-	nC



HYG053N10NS1C2 Electrical Characteristics (Cont.) (Tc =25°C Unless Otherwise Noted)

Symbol	Parameter	Test Conditions				Unit
			Min	Typ.	Max	
Dynamic Characteristics						
R _G	Gate Resistance	V _{GS} =0V, V _{DS} =0V, F=1MHz	-	2.3	-	Ω
C _{iss}	Input Capacitance	V _{GS} =0V, V _{DS} = 25V, Frequency=1.0MHz	-	3744	-	pF
C _{oss}	Output Capacitance		-	1342	-	
C _{rss}	Reverse Transfer Capacitance		-	153	-	
t _{d(ON)}	Turn-on Delay Time	V _{DD} = 50V, R _G =4.0Ω, I _{DS} = 20A, V _{GS} = 10V	-	20	-	ns
T _r	Turn-on Rise Time		-	53	-	
t _{d(OFF)}	Turn-off Delay Time		-	58	-	
T _f	Turn-off Fall Time		-	47	-	
Q _g	Total Gate Charge	V _{DS} = 80V, V _{GS} = 10V, I _{DS} = 20A	-	73	-	nC
Q _{gs}			-	20	-	
Q _{gd}	Gate-Drain Charge		-	23	-	

Note: *Pulse test, pulse width ≤ 300us, duty cycle ≤ 2%





HYG053N10NS1C2 Typical Operating Characteristics

Figure 1: Power Dissipation

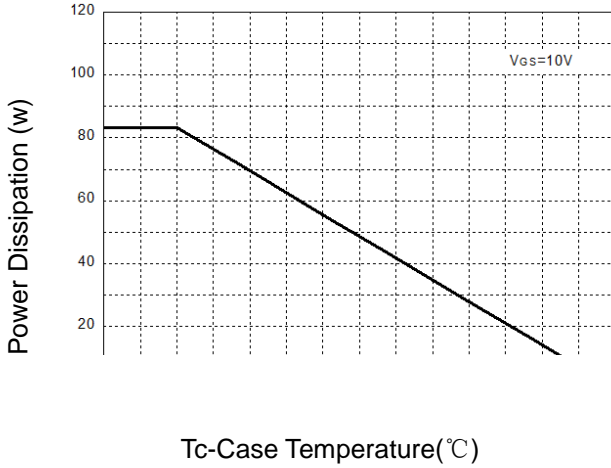


Figure 2: Drain Current

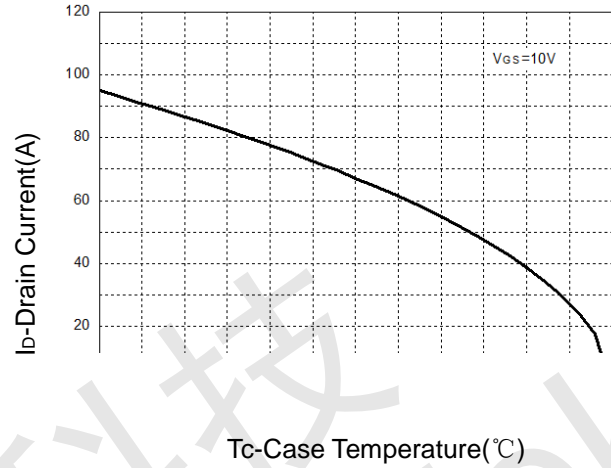


Figure 3: Safe Operation Area

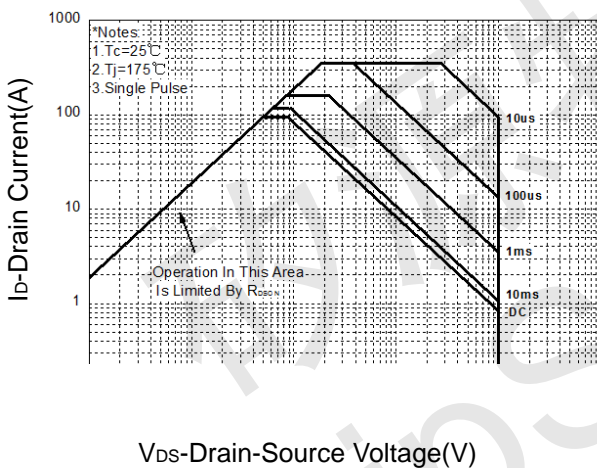


Figure 4: Thermal Transient Impedance

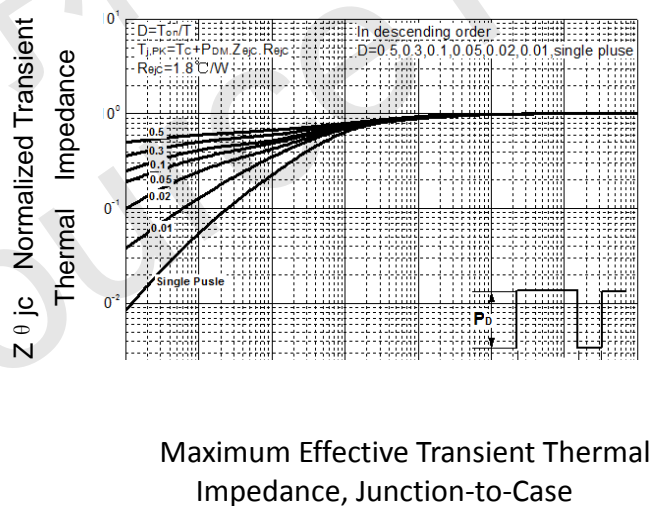


Figure 5: Output Characteristics

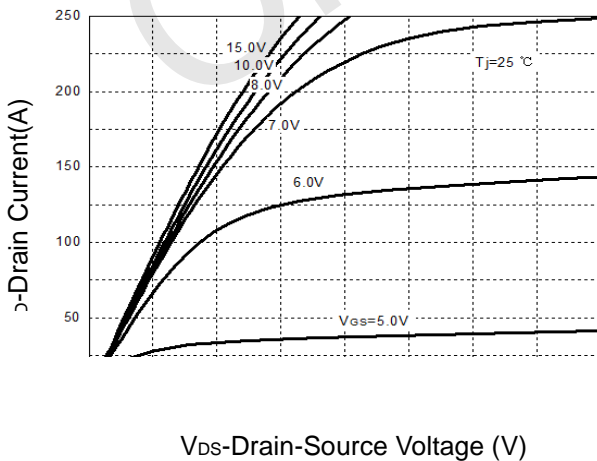
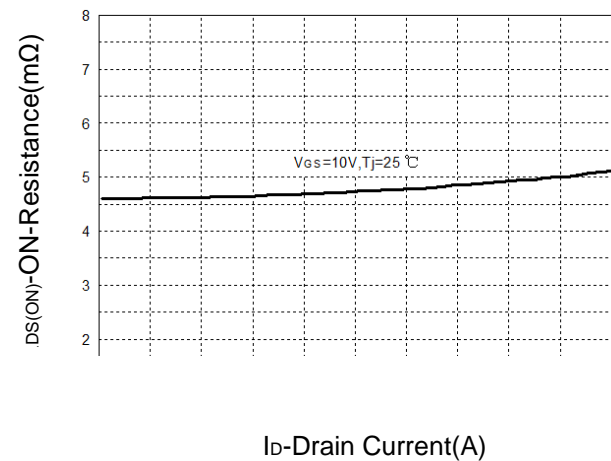


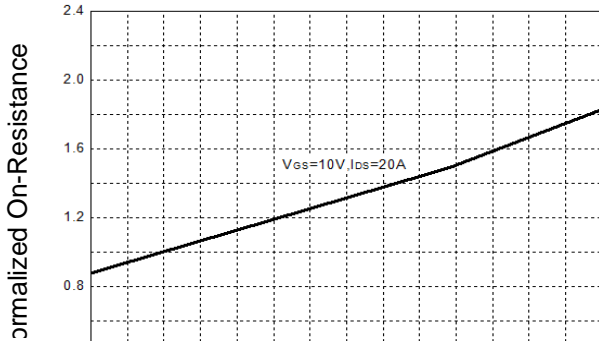
Figure 6: Drain-Source On Resistance





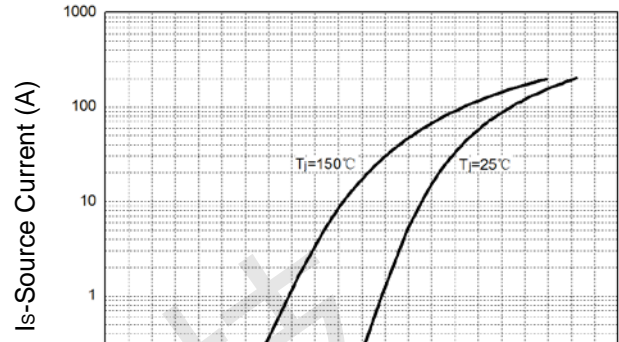
HYG053N10NS1C2 Typical Operating Characteristics(Cont.)

Figure 7: On-Resistance vs. Temperature



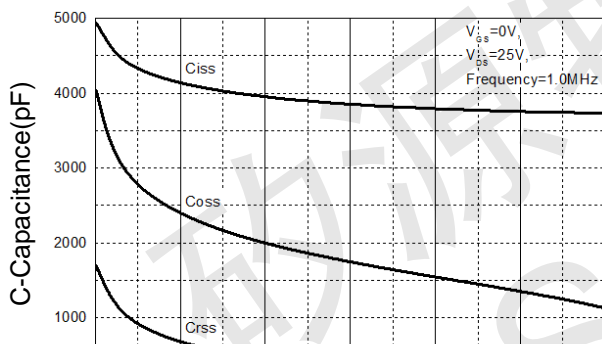
T_j-Junction Temperature (°C)

Figure 8: Source-Drain Diode Forward



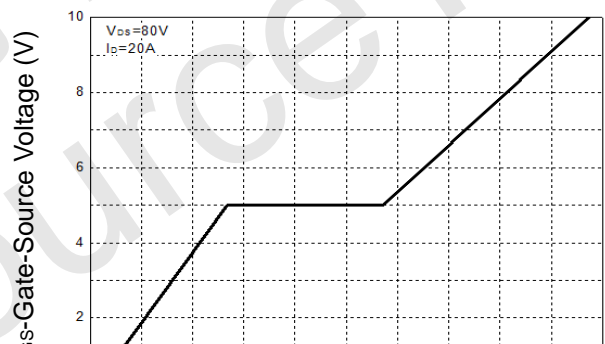
V_{SD}-Source-Drain Voltage (V)

Figure 9: Capacitance Characteristics



V_{DS}-Drain-Source Voltage (V)

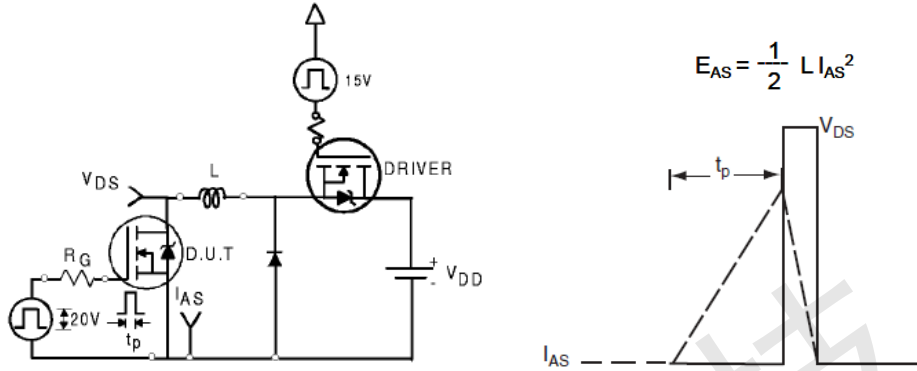
Figure 10: Gate Charge Characteristics



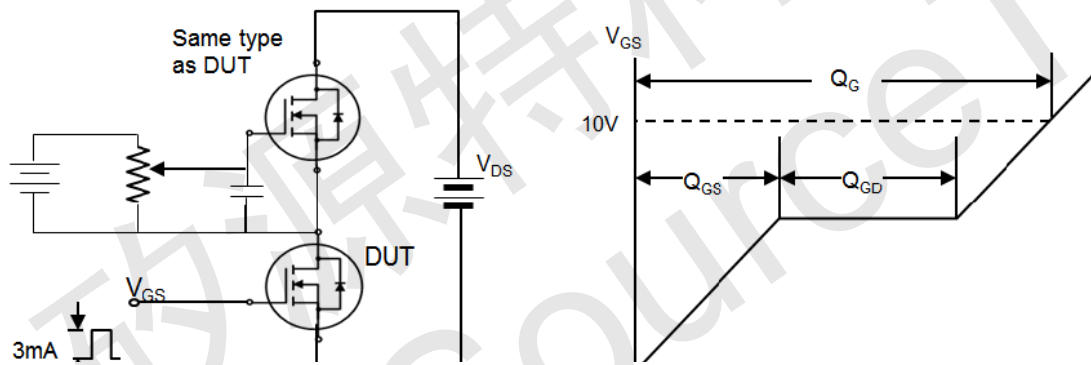
Q_G-Gate Charge (nC)



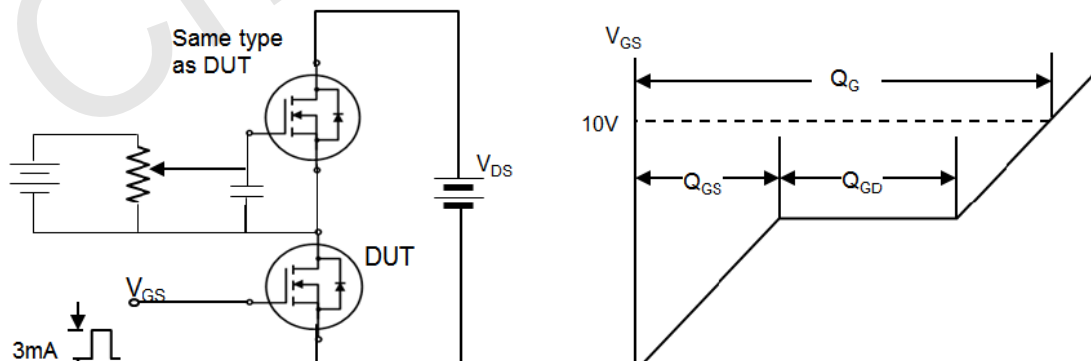
HYG053N10NS1C2 Avalanche Test Circuit



Switching Time Test Circuit



Gate Charge Test Circuit

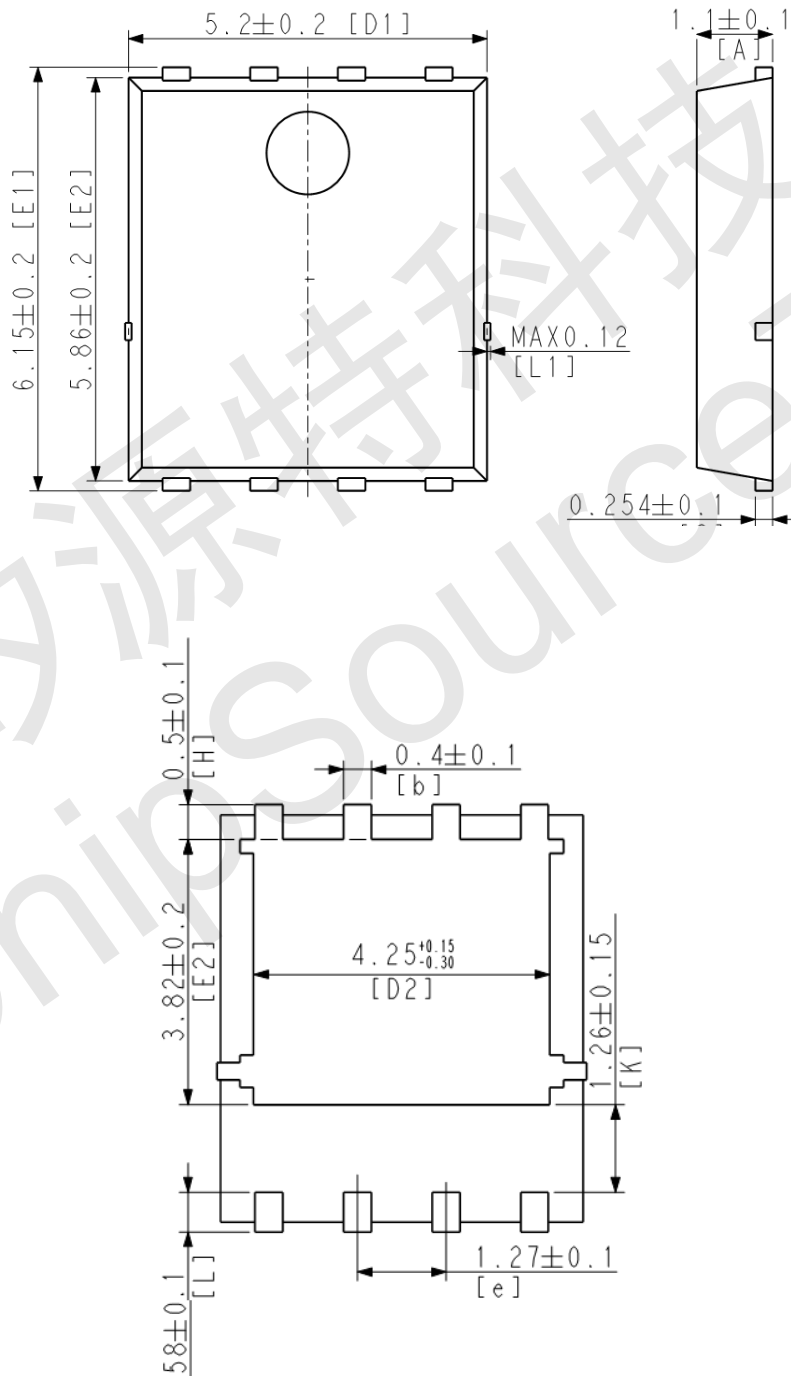




HYG053N10NS1C2 Device Per Unit

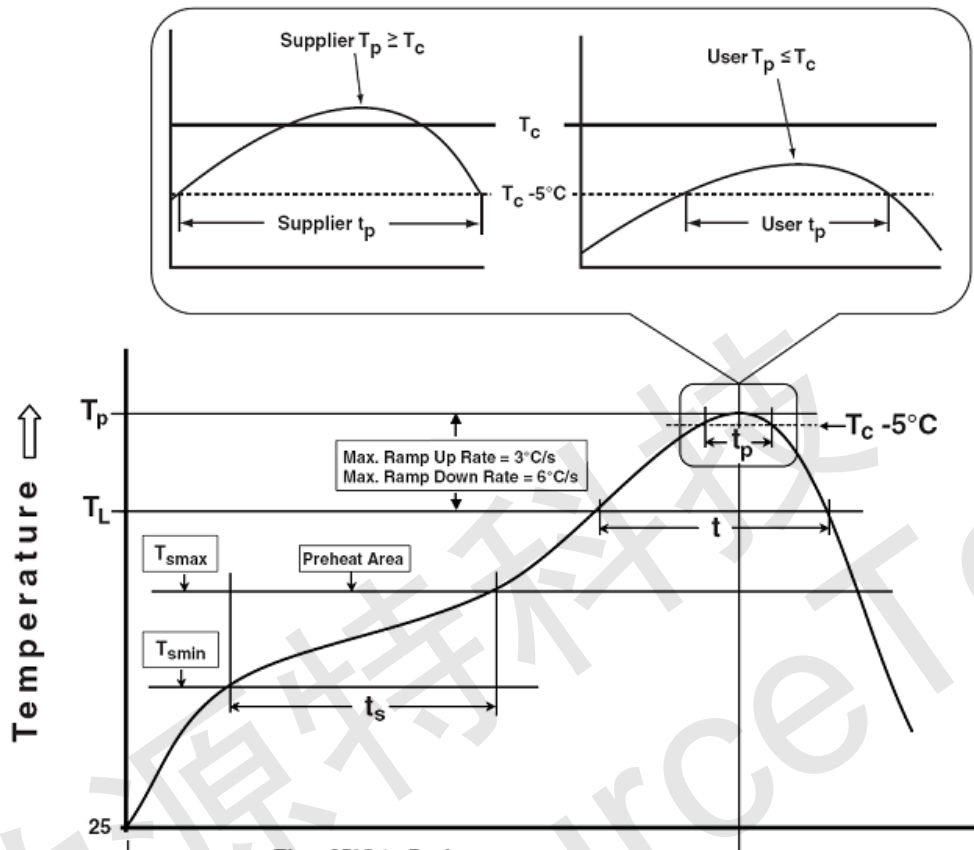
HYG053N10NS1C2 Package Information

PDFN5*6-8L





HYG053N10NS1C2 Classification Profile



HYG053N10NS1C2 Classification Reflow Profiles

Profile Feature	Sn-Pb Eutectic Assembly	Pb-Free Assembly
Preheat & Soak		
Temperature min (T_{smin})	100 °C	150 °C
Temperature max (T_{smax})	150 °C	200 °C
Time (T_{smin} to T_{smax}) (t_s)	60-120 seconds	60-120 seconds
Average ramp-up rate (T_{smax} to T_p)	3 °C/second max.	3°C/second max.
Liquidous temperature (T_L)	183 °C	217 °C
Time at liquidous (t_L)	60-150 seconds	60-150 seconds
Peak package body Temperature (T_p)*	See Classification Temp in table 1	See Classification Temp in table 2
Time (t_p)** within 5°C of the specified classification temperature (T_c)	20** seconds	30** seconds
Average ramp-down rate (T_p to T_{smax})	6 °C/second max.	6 °C/second max.
Time 25°C to peak temperature	6 minutes max.	8 minutes max.
*Tolerance for peak profile Temperature (T_p) is defined as a supplier minimum and a user maximum.		
** Tolerance for time at peak profile temperature (t_p) is defined as a supplier minimum and a user maximum.		



Table 1.SnPb Eutectic Process – Classification Temperatures (Tc)

Package Thickness	Volume mm ³ <350	Volume mm ³ 350
<2.5 mm	235 °C	220 °C
≥2.5 mm	220 °C	220 °C

Table 2.Pb-free Process – Classification Temperatures (Tc)

Package	Volume mm ³	Volume mm ³	Volume mm ³
<1.6 mm	260 °C	260 °C	260 °C
1.6 mm – 2.5 mm	260 °C	250 °C	245 °C
≥2.5 mm	250 °C	245 °C	245 °C

HYG053N10NS1C2 Reliability Test Program

Test item	Method	Description
SOLDERABILITY	JESD-22, B102	5 Sec, 245°C
PRECON	JESD-22, A113	30°C/60%/192Hrs
HTRB	JESD-22, A108	168Hrs/500Hrs/1000Hrs, Bias @ 150°C
HTGB	JESD-22, A108	168 Hrs/500Hrs/1000Hrs, Vgs100% @ 150°C
PCT	JESD-22, A102	96 Hrs, 100%RH, 2atm, 121°C
TCT	JESD-22, A104	250/500/1000Cycles, -55°C~150°C