



FM1660

High power SP10T Switch with MIPI for TX/RX

Features

- Excellent insertion loss: 0.85dB @2.7GHz
- P0.1dB @ 36dBm
- Multi-Band operation 700MHz to 2700MHz
- RFFE 2.0 control interface
- Compact 2.4mm x 2.4mm in QFN-20 package
- No DC blocking capacitors required (unless external DC is applied to the RF ports)

Applications

- 2G/3G/4G antenna transmitting and receiving
- Cellular modems and USB Devices

Description

The FM1660 is a low loss, high isolation high power SP10T switch for antenna transmitting and receiving. The FM1660 is compatible with MIPI 2.0 control, which is a key requirement for many cellular transceivers. This part is packaged in a compact 2.4mm x 2.4mm, 20-pin, QFN package which allows for a small solution size with no need for external DC blocking capacitors (when no external DC is applied to the device ports).

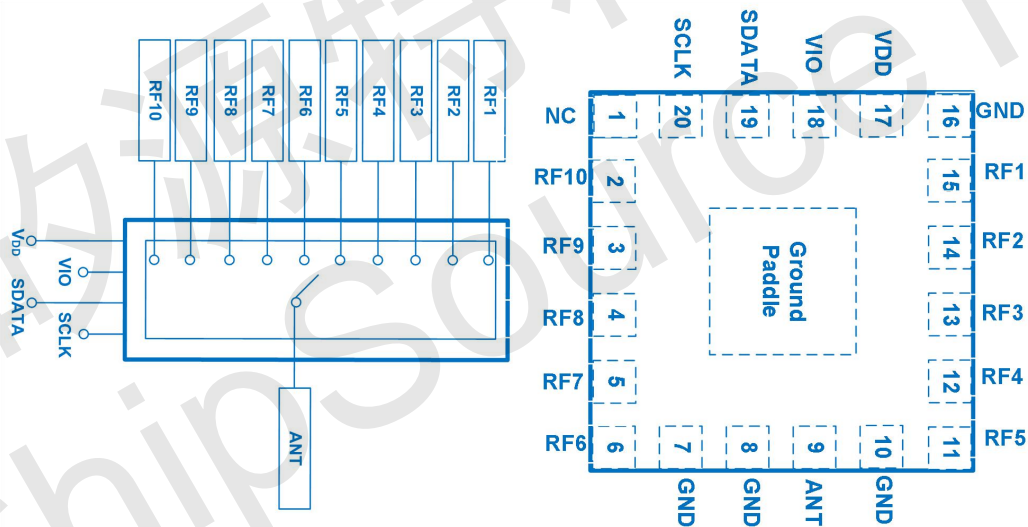


Figure 1. FM1660 Functional Block Diagram and Pinout(Top View)



FM1660

High power SP10T Switch with MIPI for TX/RX

Application Circuit

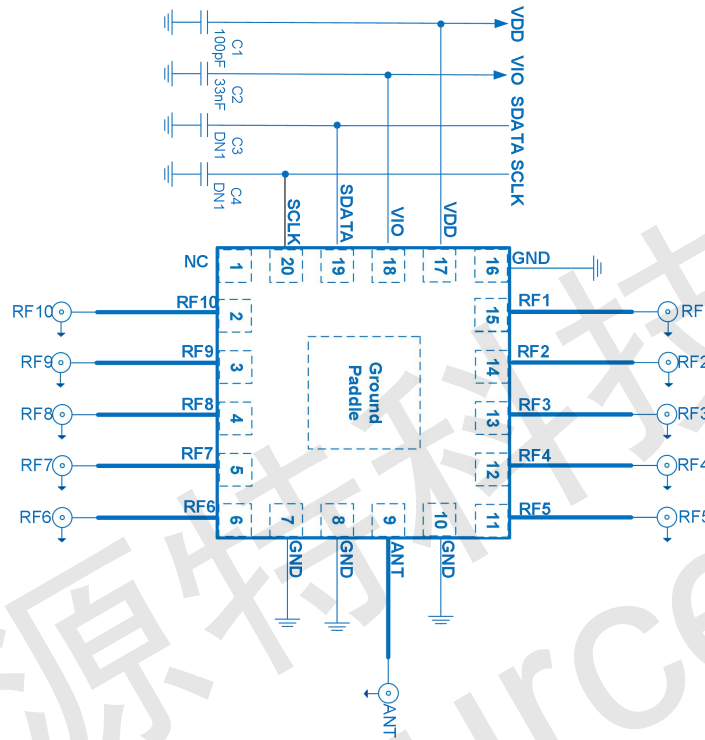


Figure 2. FM1660 Evaluation Board Schematic

Table 1 Pin Descriptions

Pin No.	Name	Description	Pin No.	Name	Description
1	NC	Not Connect	11	RF5	RF port5
2	RF10	RF port10	12	RF4	RF port4
3	RF9	RF port 9	13	RF3	RF port3
4	RF8	RF port8	14	RF2	RF port2
5	RF7	RF port7	15	RF1	RF port1
6	RF6	RF port6	16	GND	Ground
7	GND	Ground	17	VDD	Power supply
8	GND	Ground	18	VIO	Supply voltage for MIPI
9	ANT	Antenna port	19	SDATA	MIPI data input/output
10	GND	Ground	20	SCLK	MIPI clock
Ground Paddle	GND	Ground			

Notice: Bottom ground paddles must be connected to ground.



FM1660

High power SP10T Switch with MIPI for TX/RX

Truth Table

Table 2 Truth Table

State	Mode	Register_0							
		D7	D6	D5	D4	D3	D2	D1	D0
1	ISO	x	0	0	0	0	0	0	0
2	RF1 on	x	0	0	0	0	0	1	0
3	RF2 on	x	0	0	0	1	0	1	0
4	RF3 on	x	0	0	0	1	1	1	0
5	RF4 on	x	0	0	0	1	0	1	1
6	RF5 on	x	0	0	0	0	0	0	1
7	RF6 on	x	0	0	0	1	0	0	1
8	RF7 on	x	0	0	0	0	1	1	0
9	RF8 on	x	0	0	0	0	1	0	0
10	RF9 on	x	0	0	0	1	1	0	0
11	RF10 on	x	0	0	0	1	0	0	0

Absolute Maximum Ratings

Table 3 Absolute Maximum ratings

Parameters	Symbol	Minimum	Maximum	Units
Supply voltage	VDD	+2.5	+4.8	V
Supply voltage for MIPI	VIO	+1.4	+2.0	V
MIPI Control voltage (SDATA, SCLK)	VCTL	0	+2.0	V
RF input power (RF1 to RF10)	PIN		+36	dBm
Operating temperature	TOP	-20	+85	°C
Storage temperature	TSTG	-40	+125	°C
Human body model (HBM), Class 1C	ESD_HBM		1000	V
Charged device model (CDM), Class III	ESD_CDM		1000	V

Note: Exposure to maximum rating conditions for extended periods may reduce device reliability. There is no damage to device with only one parameter set at the limit and all other parameters set at or below their nominal value. Exceeding any of the limits listed here may result in permanent damage to the device



FM1660

High power SP10T Switch with MIPI for TX/RX

Electrical Specifications

Table 4 Electrical Specifications

Parameter	Symbol	Test Condition	Min	Typical	Max	Units
DC Specifications						
Supply voltage	VDD		2.5	2.8	4.2	V
Supply current	IDD			80	100	uA
VIO supply voltage	VIO		1.65	1.8	1.95	V
VIO Supply current	IIO			5	10	uA
SDATA, SCLK control voltage: High	VCTL_H		0.8* VIO	VIO	1.95	V
Low	VCTL_L		0	0	0.3	V
Switching Speed		From 50% of final VCTL voltage to 10%/90% of final RF power		2	5	uS
RF Specifications						
Insertion loss (ANT pin to RF1/2/3/4/5/6/7/8/9/10 pins)	IL	0.1 to 1.0 GHz 1.0 to 2.0 GHz 2.0 to 2.7 GHz		0.55 0.70 0.85		dB
Isolation (ANT pin to RF1/2/3/4/5/6/7/8/9/10 pins)	Iso	0.1 to 1.0 GHz 1.0 to 2.0 GHz 2.0 to 2.7 GHz	30 20 19	35 25 21		dB
0.1 dB Compression Point (ANT pin to RF1/2/3/4/5/6/7/8/9/10 pins)	P0.1dB	0.7 GHz to 3.0 GHz		+36		dBm
2nd Harmonic	2F0	F0=900MHz @ 35dBm F0=900MHz @ 26dBm		-50 -65	-45 -60	dBm
3rd Harmonic	3F0	F0=900MHz @ 35dBm F0=900MHz @ 26dBm		-45 -70	-40 -65	



FM1660

High power SP10T Switch with MIPI for TX/RX

MIPI Read and Write Timing

MIPI supports the following Command Sequences:

- Register Write
- Register_0 Write
- Register Read

Figures 3 and 4 provide the timing diagrams for register write commands and read commands, respectively. Figure 5 shows the Register 0 Write Command Sequence. Refer to the MIPI Alliance Specification for RF Front-End Control Interface (RFFE), v1.10 (26 July 2011) for additional information on MIPI USID programming sequences and MIPI bus specifications.

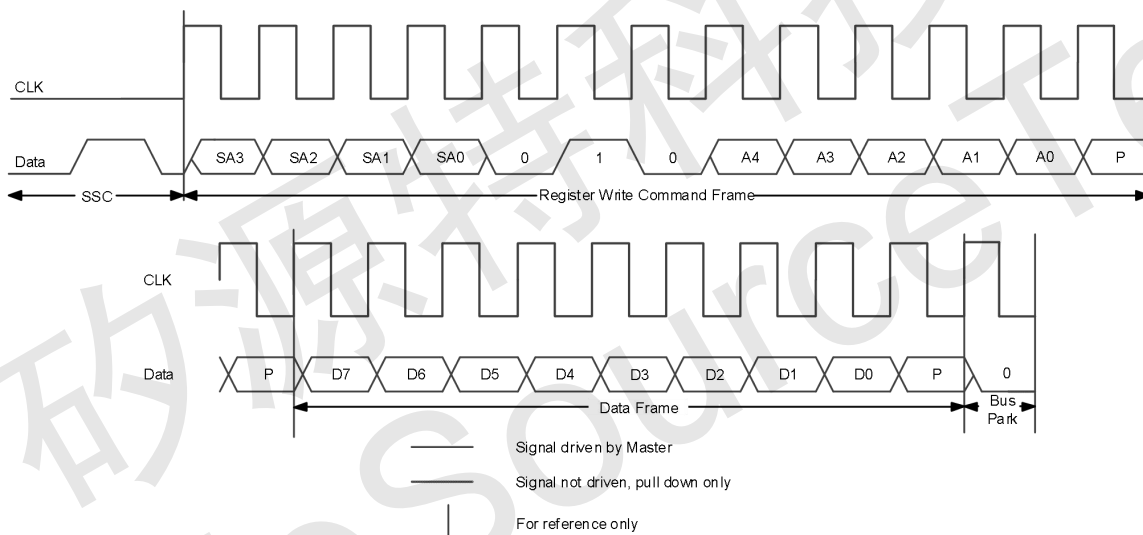


Figure 4 Register Write Command Sequence



FM1660

High power SP10T Switch with MIPI for TX/RX

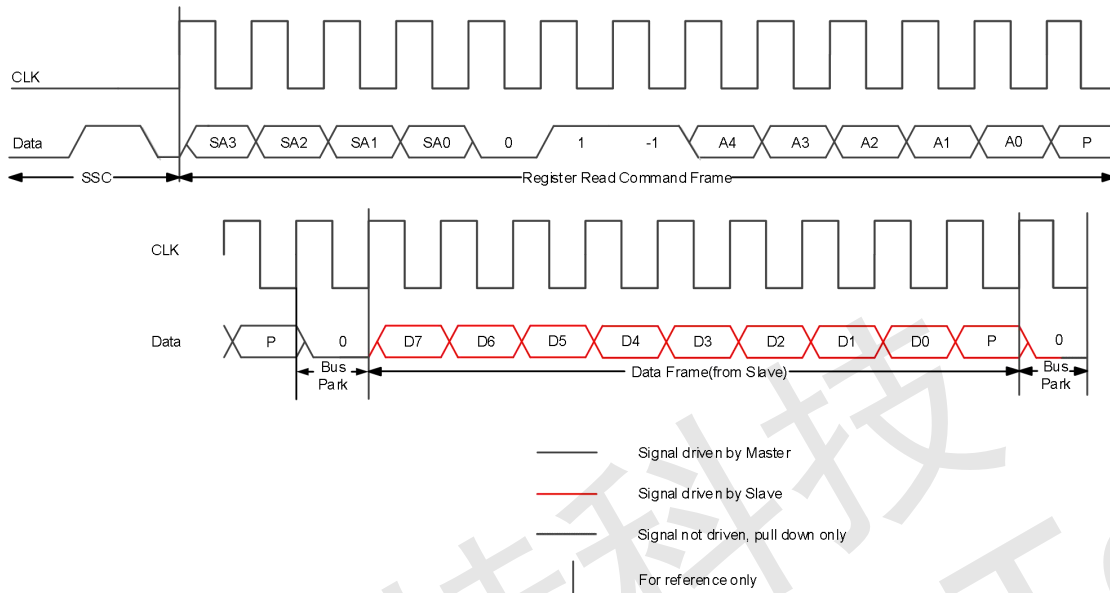


Figure 5 Register Read Command Sequence

In the timing figures, SA[3:0] is slave address. A[4:0] is register address. D[7:0] is data. "P" is odd parity bit.



FM1660

High power SP10T Switch with MIPI for TX/RX

Register 0 Write Command Sequence

Figure shows the Register 0 Write Command Sequence. The Command Sequence starts with an SSC, followed by the Register 0 Write Command Frame containing the Slave address, a logic one, and a seven bit word to be written to Register 0. The Command Sequence ends with a Bus Park Cycle.

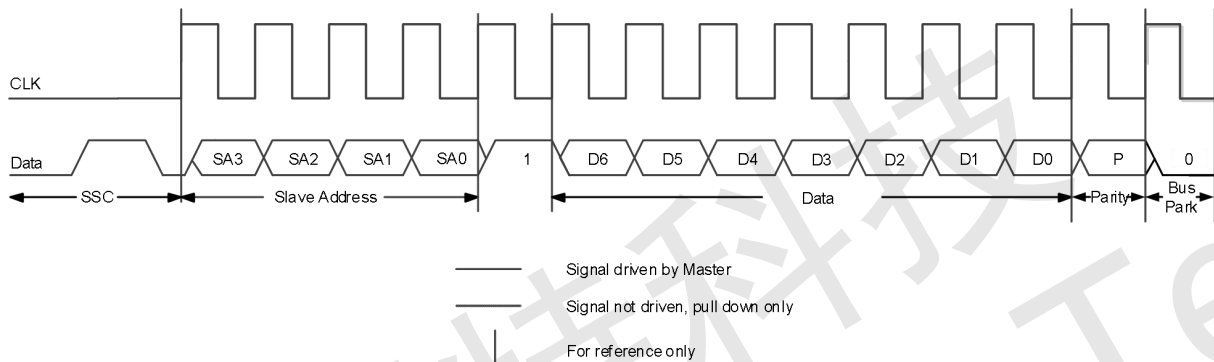


Figure 6 Register 0 Write Command Sequence



FM1660

High power SP10T Switch with MIPI for TX/RX

							BROADC AST_ID support	Trigger support		
0x00	REGISTER_0	7:0	R/W	RF Control	Register_0 truth Table: Table 2	0x00	No	Yes		
0x001B	GROUP_SID	7:4	R	RESERVED		0x0	No	No		
		3:0	R/W	GSID	Group Slave ID	0x0	No	No		
0x001C	PM_TRIG	7:6	R/W	PWR_MODE	00: Normal Operation (ACTIVE) 01: Reset all registers to default settings (STARTUP) 10: Low power (LOW POWER) 11: Reserved Note: Write PWR_MODE=2'h1 will reset all register, and puts the device into STARTUP state.	0b10	Yes	No		
				5	R/W	Trigger_Mask_2	If this bit is set, trigger 2 is disabled	0	No	No
				4	R/W	Trigger_Mask_1	If this bit is set, trigger 1 is disabled	0	No	No
				3	R/W	Trigger_Mask_0	If this bit is set, trigger 0 is disabled Note: When all triggers are disabled, writing to a register that is associated with trigger 0, 1, or 2, causes the data to go directly to the destination register.	0	No	No
				2	W	Trigger_2	A write of a one to this bit loads trigger 2's registers	0	Yes	No
				1	W	Trigger_1	A write of a one to this bit loads trigger 1's registers	0	Yes	No
				0	W	Trigger_0	A write of a one to this bit loads trigger 0's registers Note: Trigger processed immediately then cleared. Trigger 0, 1, and 2 will always read as 0.	0	Yes	No
				0x001D	PRODUCT_ID	7:0	R	PRODUCT_ID	Product Number	0x45
0x001E	MANUFACTURER_ID	7:0	R	MANUFACTURER_ID[7:0]	Lower eight bits of MIPI registered Manufacturer ID	0x78	No	No		
0x001F	MAN_USID	7:4	R	MANUFACTURER_ID[9:8]	Upper two bits of MIPI registered Manufacturer ID	0x4	No	No		
		3:0	R/W	USID	USID of the device.	0xA	No	No		

TEL: +86-0755-27595155 27595165

FAX: +86-0755-27594792

WEB: [Http://www.ChipSourceTek.com](http://www.ChipSourceTek.com)

E-mail: Tony.Wang@ChipSourceTek.com InFo@ChipSourceTek.com



FM1660

High power SP10T Switch with MIPI for TX/RX

Power ON and OFF sequence

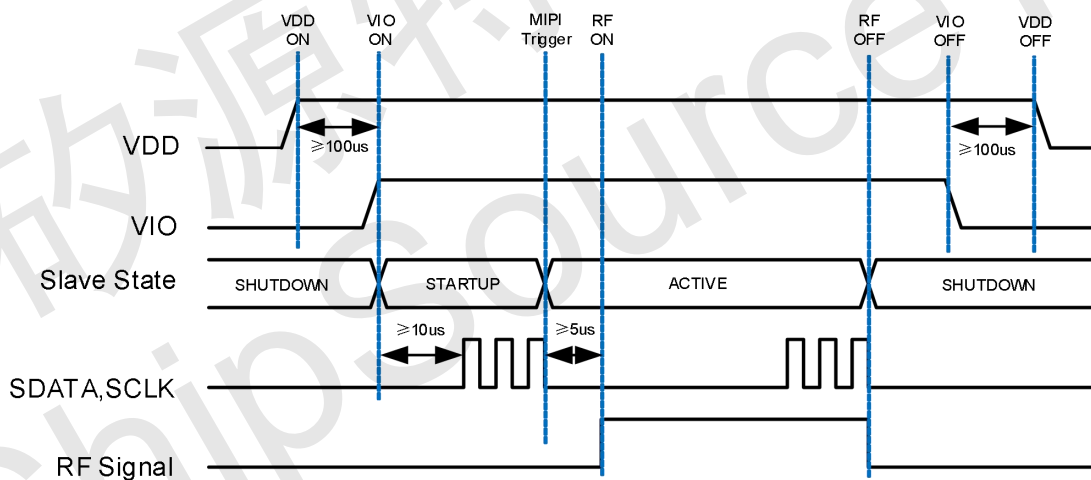
Here is the recommendation about power-on/off sequence in order to avoid damaging the device.

Power ON

- 1) Apply voltage supply - VDD
- 2) Apply logic supply - VIO
- 3) Wait 10 μ s or greater and then apply MIPI bus signals – SCLK and SDATA
- 4) Wait 5 μ s or greater after MIPI bus goes idle and then apply the RF Signal

Power OFF

- 1) Remove the RF Signal
- 2) Remove MIPI bus – SCLK and SDATA
- 3) Remove logic supply - VIO
- 4) Remove voltage supply – VDD



Note: VIO can be applied to the device before VDD or removed after VDD.

It is important to wait 10 μ s after VIO & VDD are applied before sending SDATA to ensure correction data transmission. The minimum time between a power up and power down sequence (and vice versa) is $\geq 100\mu s$.



FM1660

High power SP10T Switch with MIPI for TX/RX

Reflow Chart

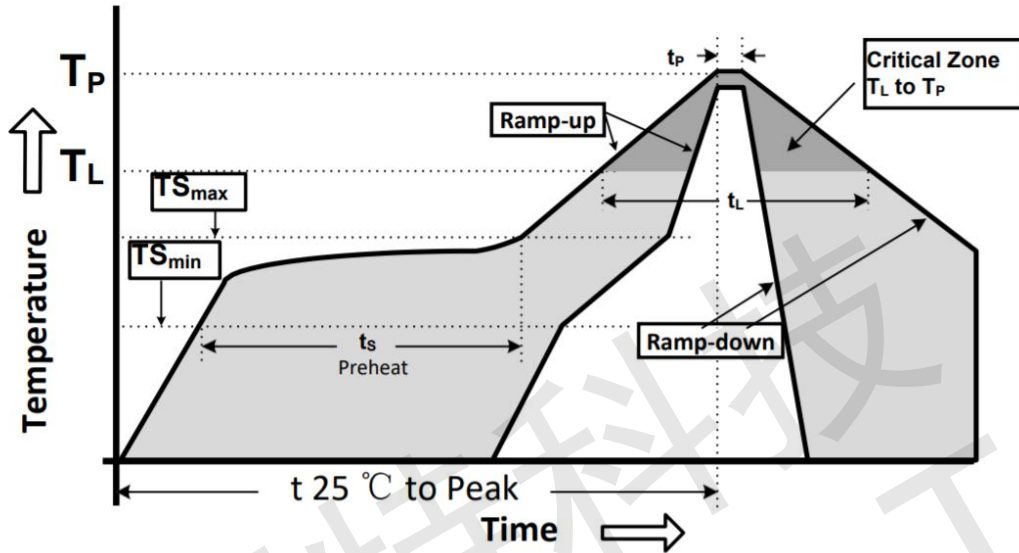


Figure 5 Recommended Lead-Free Reflow Profile

Table 6 Reflow Chart Parameters

Reflow Profile	Parameter
Preheat Temperature($T_{S_{min}}$ to $T_{S_{max}}$)	150°C to 200°C
Preheat Time(t_s)	60 to 180 Seconds
Ramp-Up Rate($T_{S_{max}}$ to T_P)	3°C/s MAX
Time Above T_L 217°C(t_L)	60 to 150 Seconds
Peak Temperature (T_P)	260°C
Time within 5°C of Peak Temperature(t_p)	20 to 40 Seconds
Ramp-Down Rate($T_{S_{max}}$ to T_P)	6°C/s MAX
Time for 25°C to Peak Temperature(t_{25-TP})	8 Minutes MAX

ESD Sensitivity

Integrated circuits are ESD sensitive and can be damaged by static electric charge. Proper ESD protection techniques should be applied when devices are operating.

RoHS Compliant

This product does not contain lead, mercury, cadmium, hexavalent chromium, polybrominated biphenyls (PBB) and polybrominated diphenyl ethers (PBDE), and is considered RoHS compliant.